

UNLESS OTHERWISE SPECIFIED:
 DIMENSIONS ARE IN MILLIMETERS
 SURFACE FINISH:
 TOLERANCES:
 LINEAR:
 ANGULAR:

FINISH:

DEBURR AND
 BREAK SHARP
 EDGES

DO NOT SCALE DRAWING

REVISION

	NAME	SIGNATURE	DATE		
DRAWN					
CHK'D					
APPV'D					
MFG					
Q.A					

TITLE:

MATERIAL:

SOLIDWORKS Educational Product. For Instructional Use Only

WEIGHT:

DWG NO.

FRAME

A4

SCALE:1:10

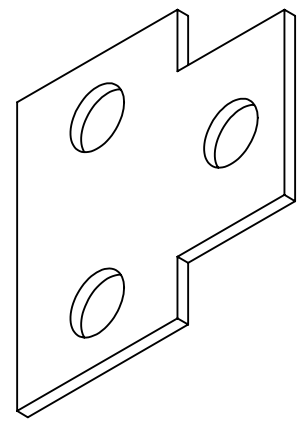
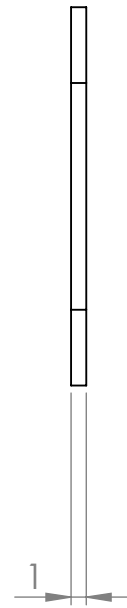
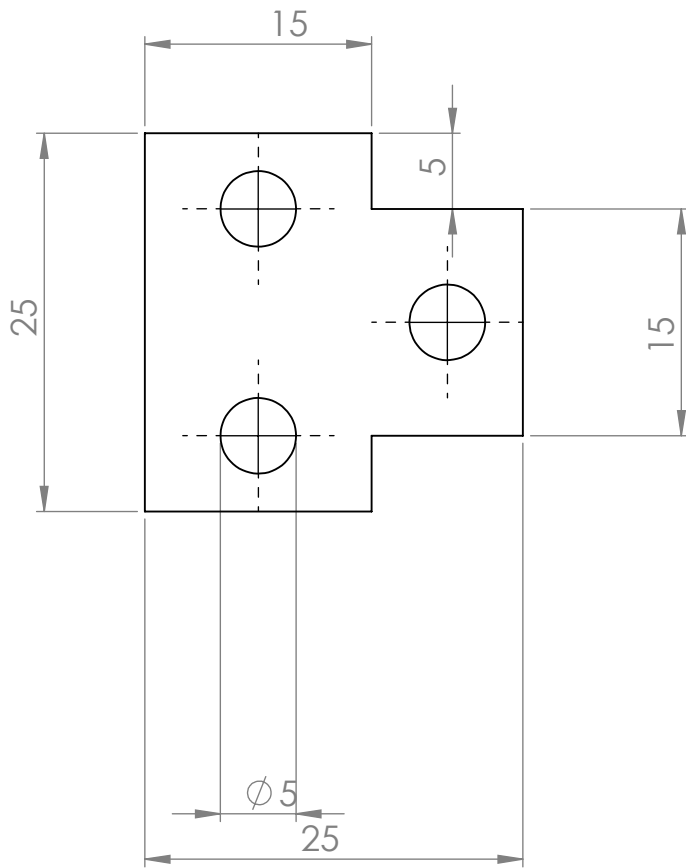
SHEET 1 OF 1

F
E
D
C
B
A

F
E
D
C
B
A

4 3 2 1

4 3 2 1



F
E
D
C
B
A

F
E
D
C
B
A

4 3 2 1

UNLESS OTHERWISE SPECIFIED:
DIMENSIONS ARE IN MILLIMETERS
SURFACE FINISH:
TOLERANCES:
LINEAR:
ANGULAR:

FINISH:

DEBURR AND
BREAK SHARP
EDGES

DO NOT SCALE DRAWING

REVISION

	NAME	SIGNATURE	DATE
DRAWN			
CHK'D			
APPV'D			
MFG			
Q.A			

TITLE:

MATERIAL:

DWG NO. **SCHETSPLAAT1** A4

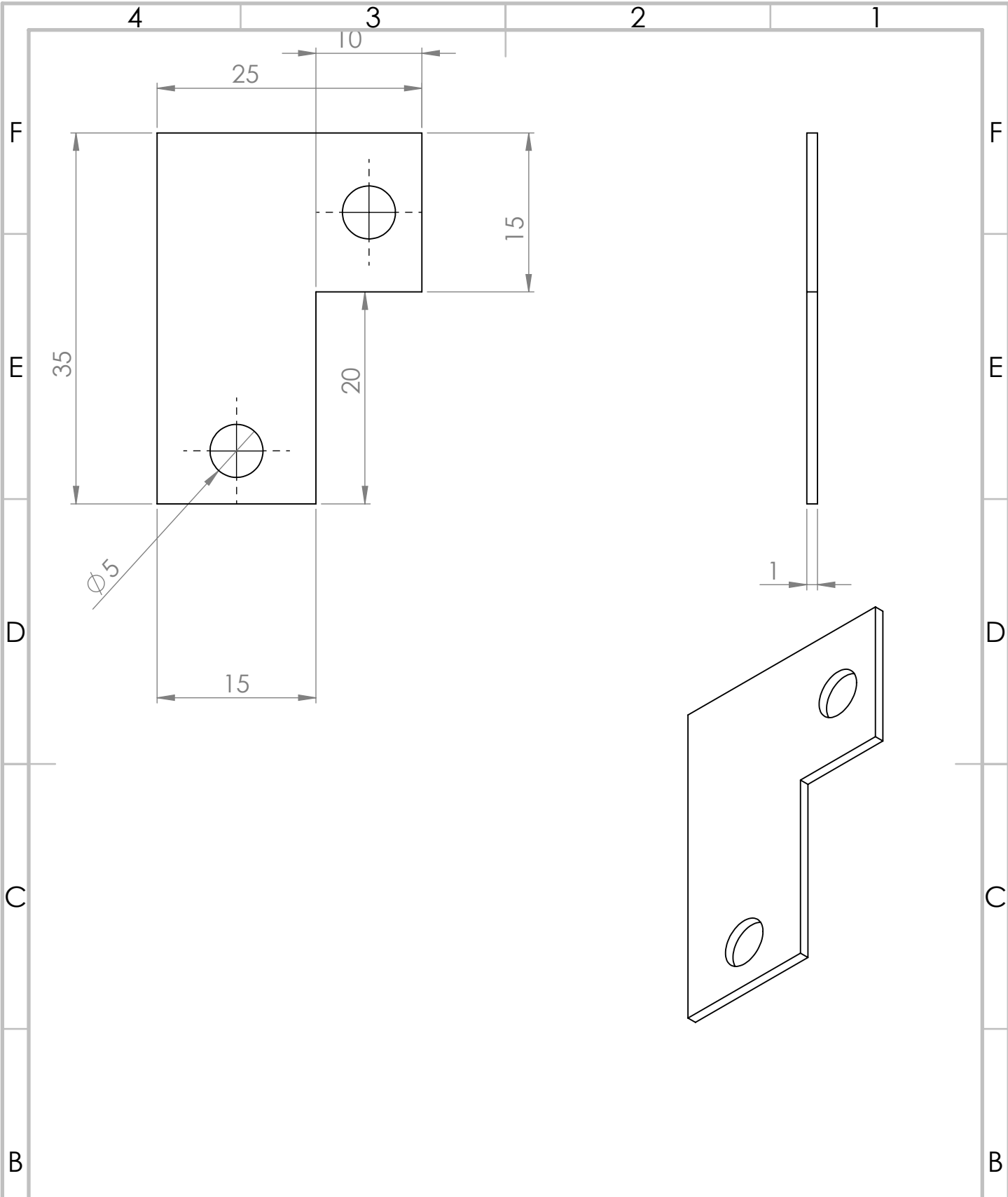
SOLIDWORKS Educational Product. For Instructional Use Only

WEIGHT:

SCALE:2:1

SHEET 1 OF 1

4 3 2 1



UNLESS OTHERWISE SPECIFIED:
 DIMENSIONS ARE IN MILLIMETERS
 SURFACE FINISH:
 TOLERANCES:
 LINEAR:
 ANGULAR:

FINISH:

DEBURR AND
 BREAK SHARP
 EDGES

DO NOT SCALE DRAWING

REVISION

	NAME	SIGNATURE	DATE	
DRAWN				
CHK'D				
APPV'D				
MFG				
Q.A				

TITLE:

SOLIDWORKS Educational Product. For Instructional Use Only

MATERIAL:

WEIGHT:

DWG NO.

SCHETSPLAAT2

SCALE:2:1

A4

SHEET 1 OF 1

A

A

4

3

2

1

4 3 2 1

F

F

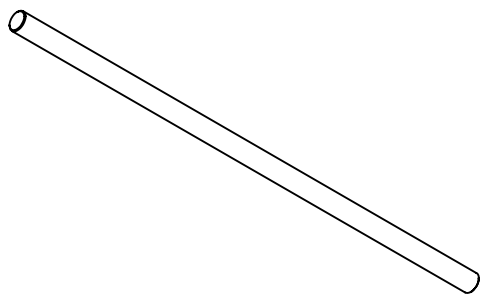
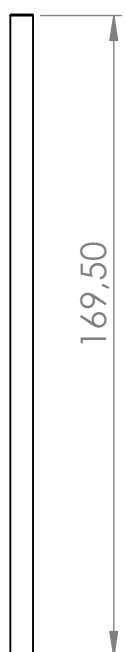
⊕ $\phi 5,50$

E

E

D

D



C

C

B

B

UNLESS OTHERWISE SPECIFIED:
 DIMENSIONS ARE IN MILLIMETERS
 SURFACE FINISH:
 TOLERANCES:
 LINEAR:
 ANGULAR:

FINISH:

DEBURR AND
 BREAK SHARP
 EDGES

DO NOT SCALE DRAWING

REVISION

	NAME	SIGNATURE	DATE		
DRAWN					
CHK'D					
APPV'D					
MFG					
Q.A					

TITLE:

A

A

MATERIAL:

DWG NO.

SOLIDWORKS Educational Product. For Instructional Use Only

tekening As loopkat

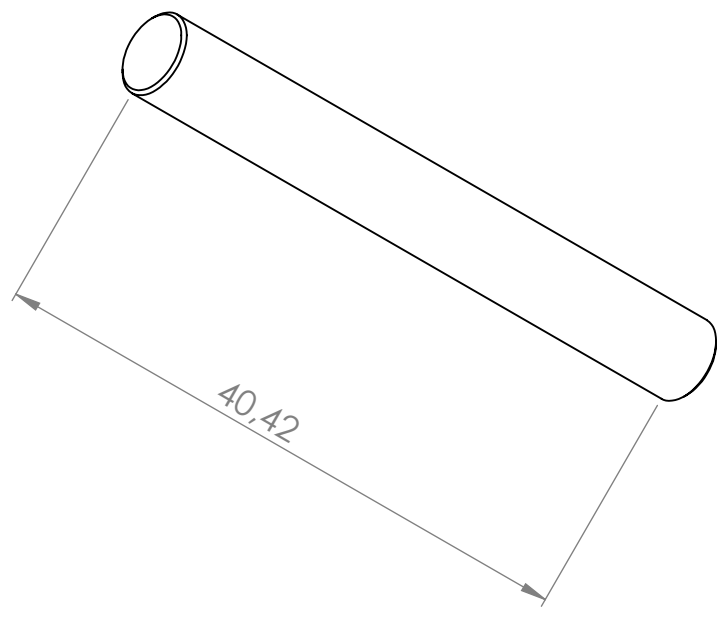
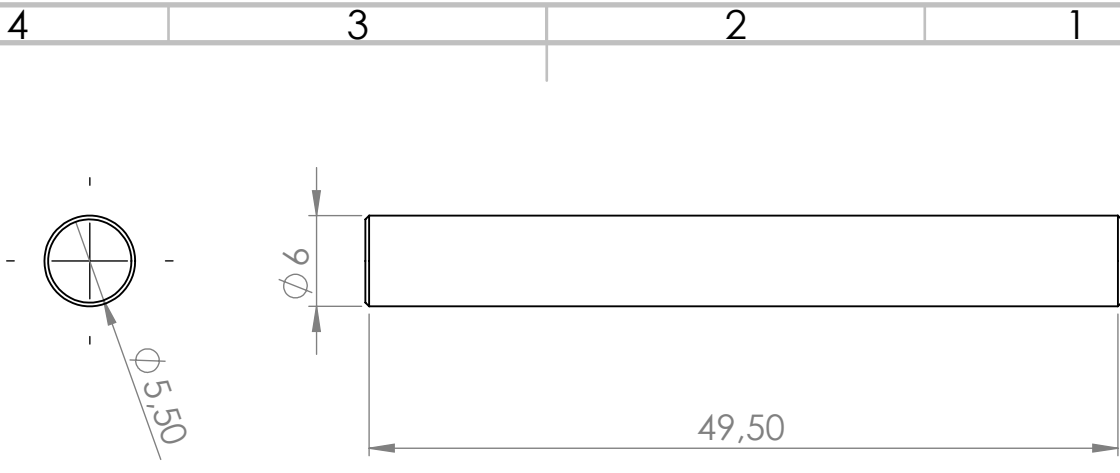
A1

WEIGHT:

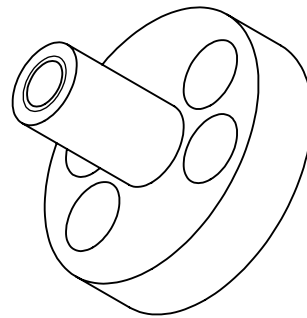
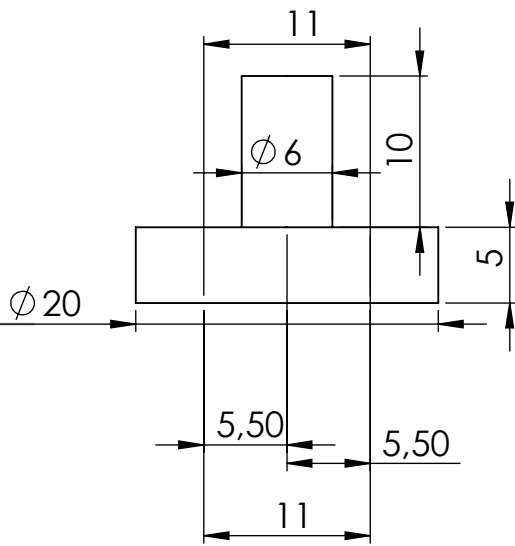
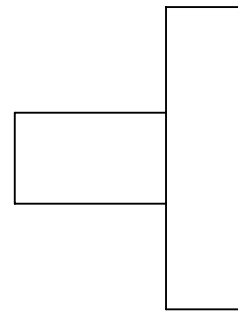
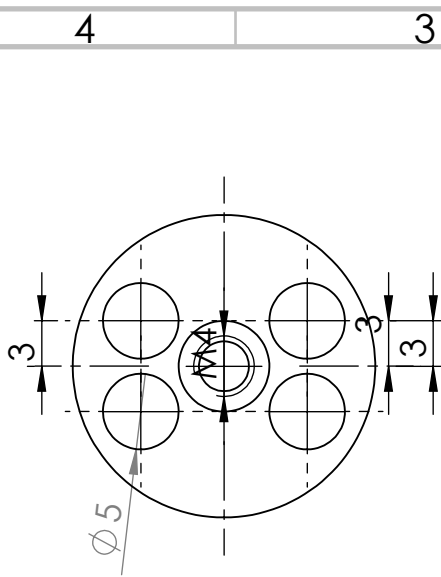
SCALE:1:2

SHEET 1 OF 1

4 3 2 1



UNLESS OTHERWISE SPECIFIED: DIMENSIONS ARE IN MILLIMETERS SURFACE FINISH: TOLERANCES: LINEAR: ANGULAR:		FINISH:	DEBURR AND BREAK SHARP EDGES		DO NOT SCALE DRAWING	REVISION
DRAWN		SIGNATURE	DATE	TITLE:		
CHK'D						
APPV'D						
MFG						
Q.A		MATERIAL:		DWG NO.		
SOLIDWORKS Educational Product. For Instructional Use Only				Tekening As loopkat 2		
WEIGHT:		SCALE:2:1		SHEET 1 OF 1		



UNLESS OTHERWISE SPECIFIED:
DIMENSIONS ARE IN MILLIMETERS
SURFACE FINISH:
TOLERANCES:
LINEAR:
ANGULAR:

FINISH:

DEBURR AND
BREAK SHARP
EDGES

DO NOT SCALE DRAWING

REVISION

NAME	SIGNATURE	DATE
DRAWN		
CHK'D		
APPV'D		
MFG		
Q.A		

TITLE:

MATERIAL:

DWG NO.

SOLIDWORKS Educational Product. For Instructional Use Only

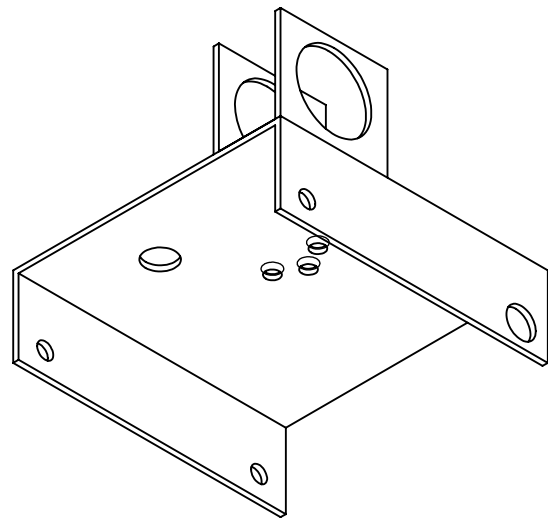
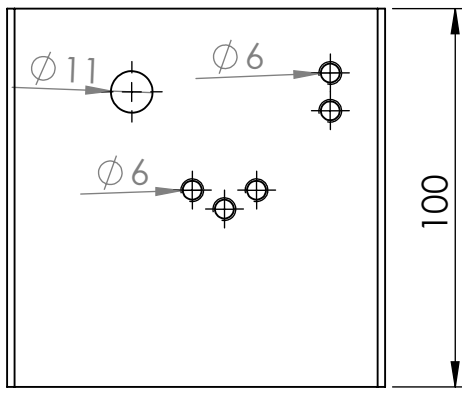
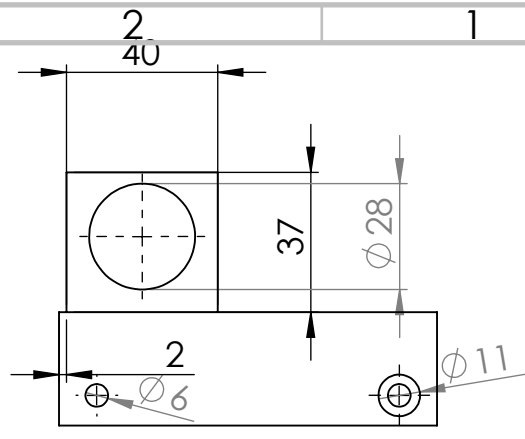
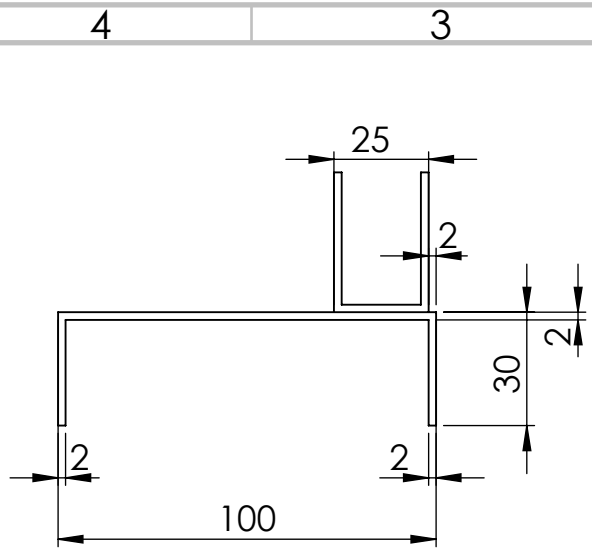
tekening busje gripper

A4

WEIGHT:

SCALE:2:1

SHEET 1 OF 1



UNLESS OTHERWISE SPECIFIED:
 DIMENSIONS ARE IN MILLIMETERS
 SURFACE FINISH:
 TOLERANCES:
 LINEAR:
 ANGULAR:

FINISH:

DEBURR AND
 BREAK SHARP
 EDGES

DO NOT SCALE DRAWING

REVISION

	NAME	SIGNATURE	DATE
DRAWN			
CHK'D			
APPV'D			
MFG			
Q.A			

TITLE:

SOLIDWORKS Educational Product. For Instructional Use Only

MATERIAL:

DWG NO.

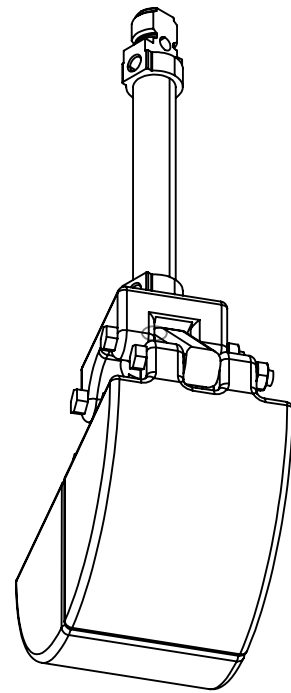
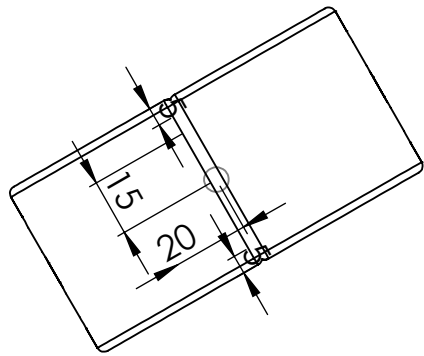
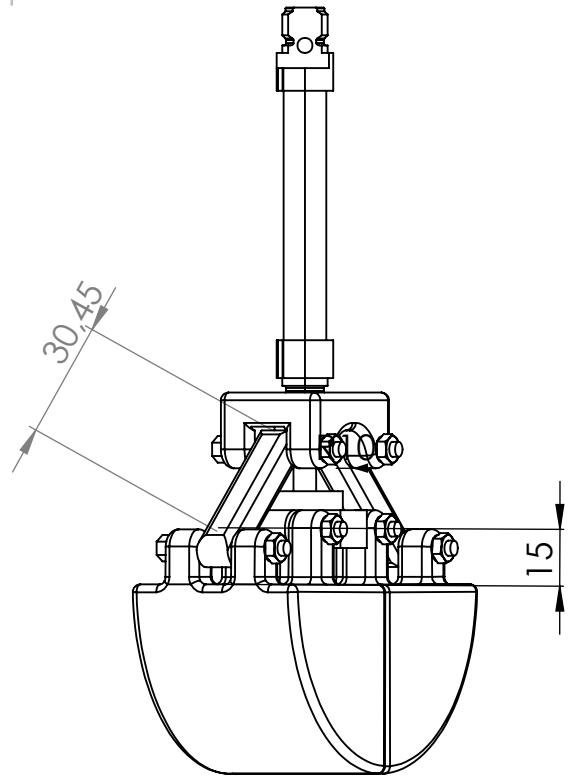
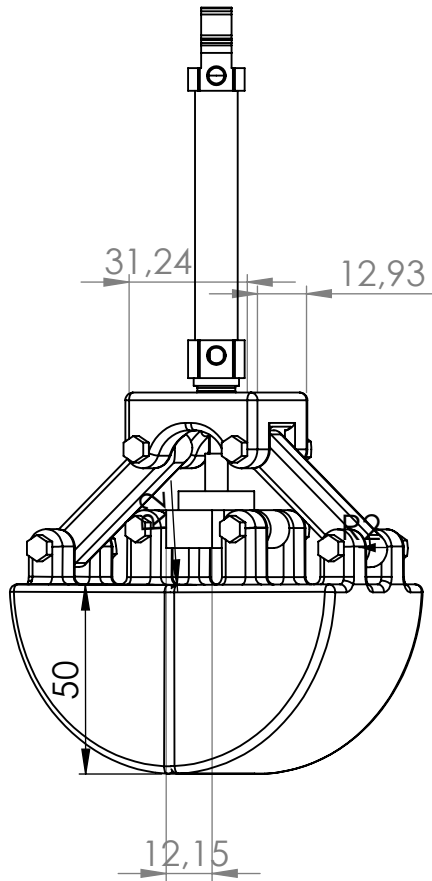
frame karretje 2

A4

WEIGHT:

SCALE:1:2

SHEET 1 OF 1



UNLESS OTHERWISE SPECIFIED:
DIMENSIONS ARE IN MILLIMETERS
SURFACE FINISH:
TOLERANCES:
LINEAR:
ANGULAR:

FINISH:

DEBURR AND
BREAK SHARP
EDGES

DO NOT SCALE DRAWING

REVISION

	NAME	SIGNATURE	DATE
DRAWN			
CHK'D			
APPV'D			
MFG			
Q.A			

TITLE:

MATERIAL:

DWG NO.

SOLIDWORKS Educational Product. For Instructional Use Only

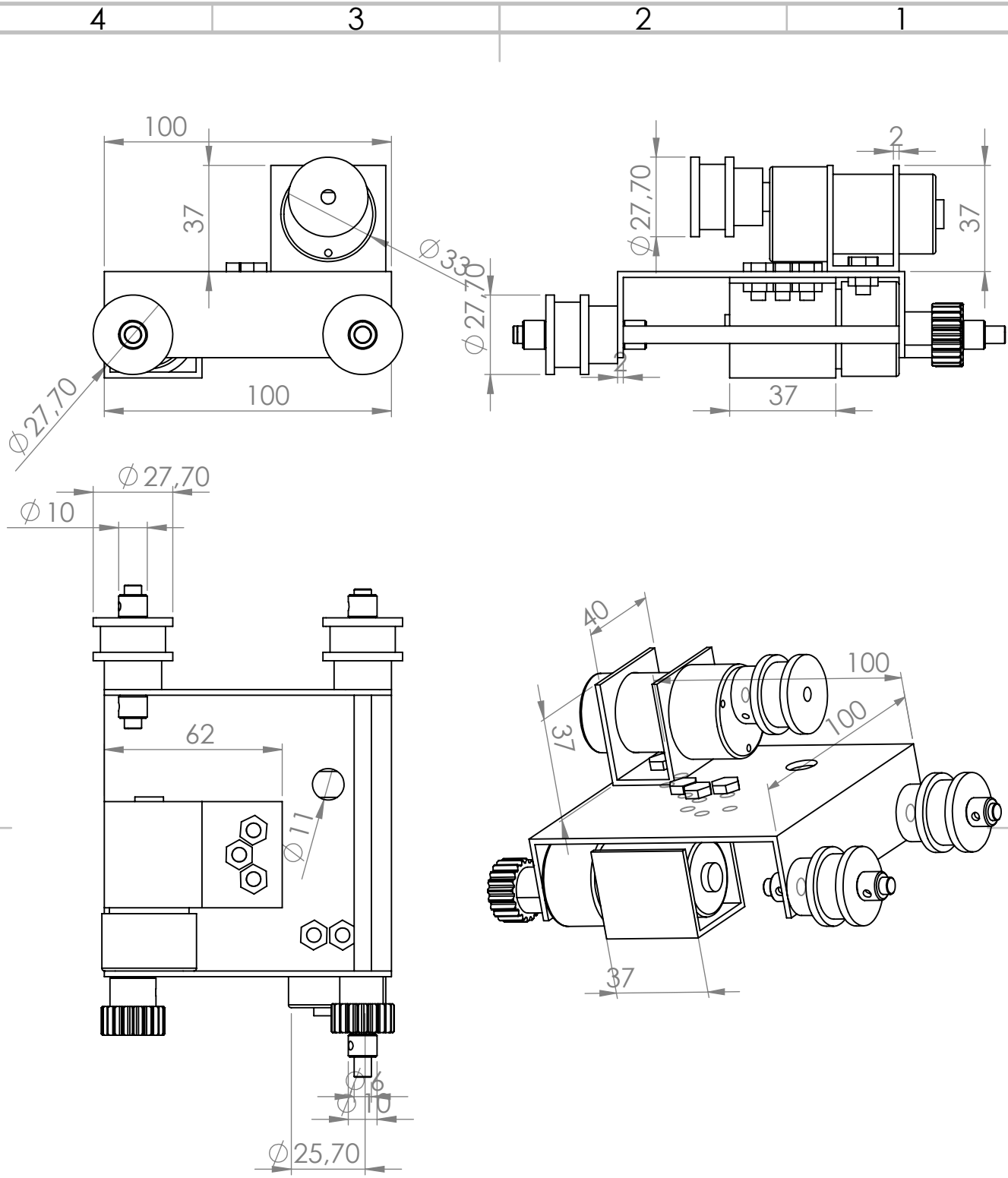
grijper portaalkraan comple

A4

WEIGHT:

SCALE:1:2

SHEET 1 OF 1



UNLESS OTHERWISE SPECIFIED:
 DIMENSIONS ARE IN MILLIMETERS
 SURFACE FINISH:
 TOLERANCES:
 LINEAR:
 ANGULAR:

FINISH:

 DEBURR AND
 BREAK SHARP
 EDGES

DO NOT SCALE DRAWING REVISION

NAME	SIGNATURE	DATE
DRAWN		
CHK'D		
APPV'D		
MFG		
Q.A		

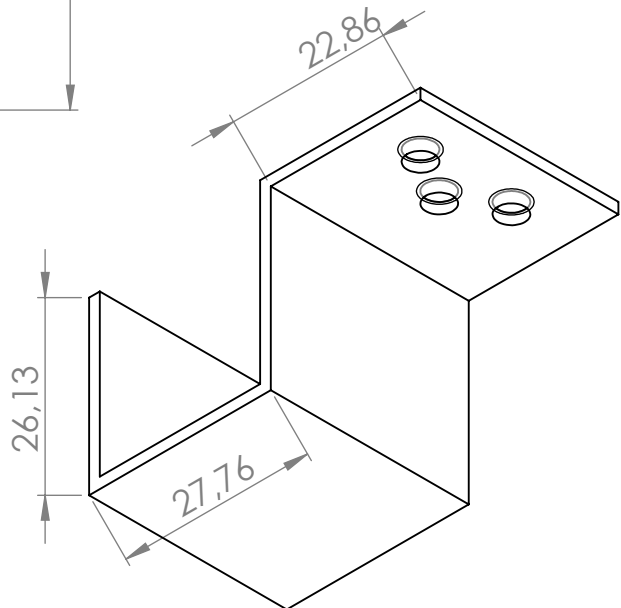
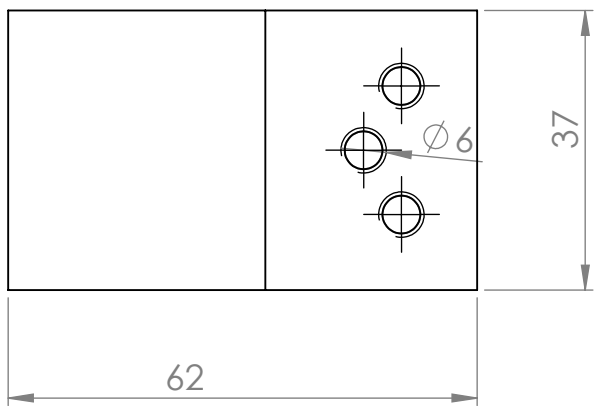
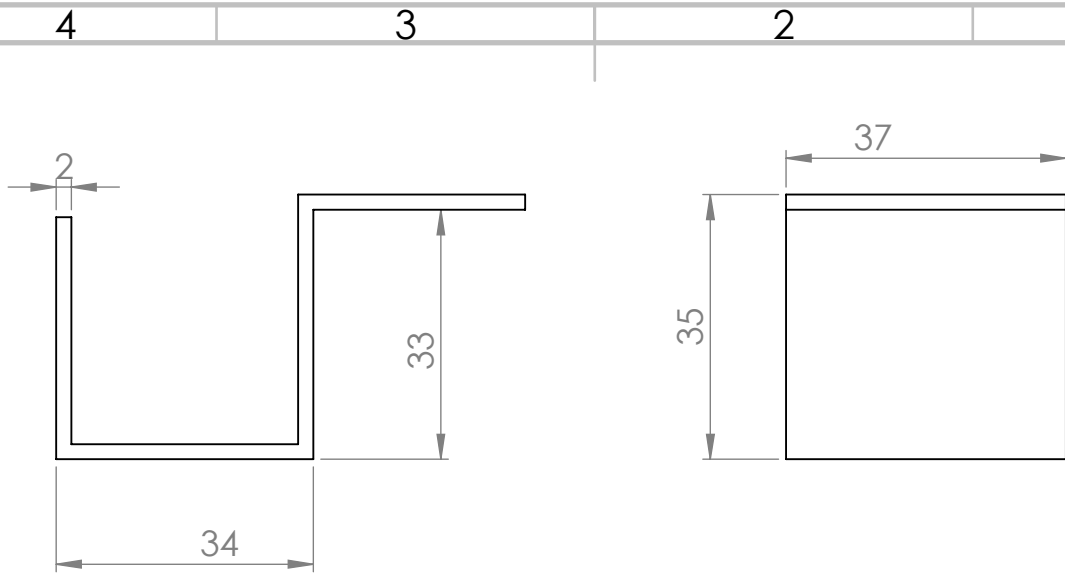
TITLE:

 DWG NO.

SOLIDWORKS Educational Product. For Instructional Use Only

Loopkat compleet^{A4}

WEIGHT: SCALE: 1:5 SHEET 1 OF 1



UNLESS OTHERWISE SPECIFIED:
 DIMENSIONS ARE IN MILLIMETERS
 SURFACE FINISH:
 TOLERANCES:
 LINEAR:
 ANGULAR:

FINISH:

DEBURR AND
 BREAK SHARP
 EDGES

DO NOT SCALE DRAWING

REVISION

	NAME	SIGNATURE	DATE
DRAWN			
CHK'D			
APPV'D			
MFG			
Q.A			

TITLE:

MATERIAL:

DWG NO.

SOLIDWORKS Educational Product. For Instructional Use Only

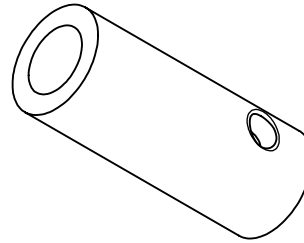
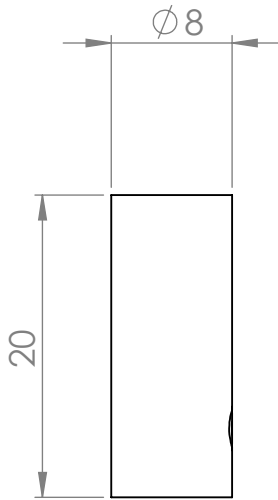
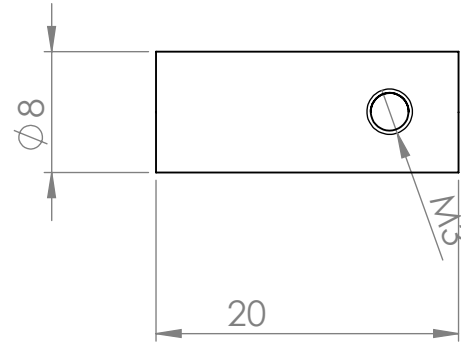
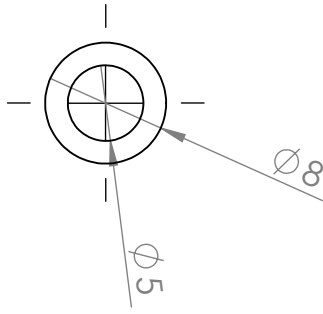
Tekening Ophangstuk motor

A4

WEIGHT:

SCALE:1:1

SHEET 1 OF 1



UNLESS OTHERWISE SPECIFIED:
 DIMENSIONS ARE IN MILLIMETERS
 SURFACE FINISH:
 TOLERANCES:
 LINEAR:
 ANGULAR:

FINISH:

DEBURR AND
 BREAK SHARP
 EDGES

DO NOT SCALE DRAWING

REVISION

	NAME	SIGNATURE	DATE
DRAWN			
CHK'D			
APPV'D			
MFG			
Q.A			

TITLE:

MATERIAL:

DWG NO.

SOLIDWORKS Educational Product. For Instructional Use Only

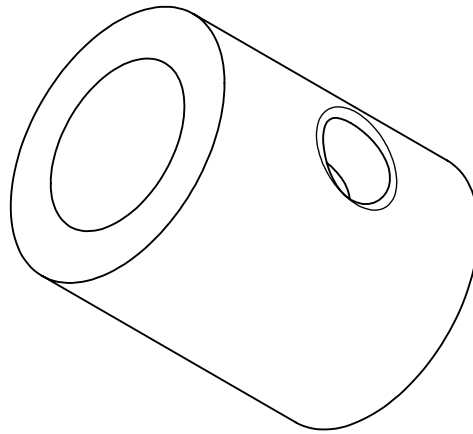
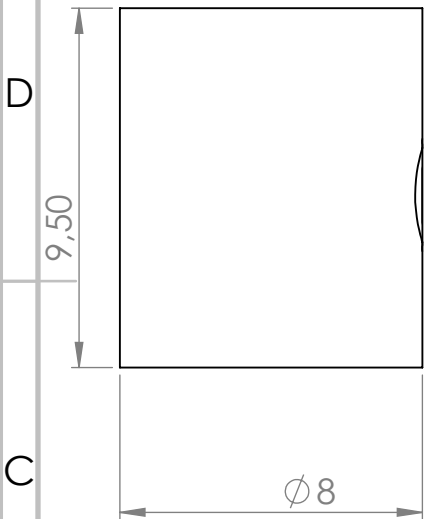
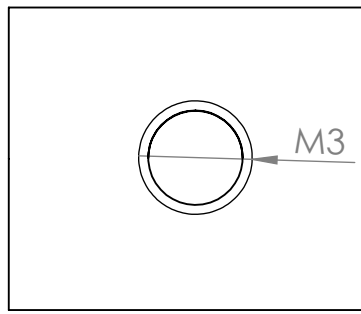
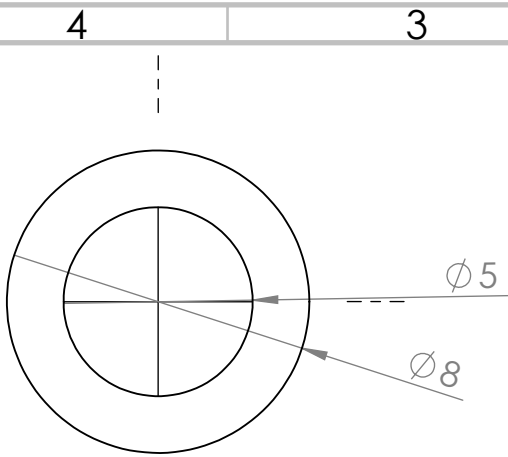
Stelring loopkat groot

A4

WEIGHT:

SCALE:2:1

SHEET 1 OF 1



UNLESS OTHERWISE SPECIFIED:
 DIMENSIONS ARE IN MILLIMETERS
 SURFACE FINISH:
 TOLERANCES:
 LINEAR:
 ANGULAR:

FINISH:

DEBURR AND
 BREAK SHARP
 EDGES

DO NOT SCALE DRAWING

REVISION

	NAME	SIGNATURE	DATE
DRAWN			
CHK'D			
APPV'D			
MFG			
Q.A			

TITLE:

MATERIAL:			DWG NO.
WEIGHT:			SCALE:5:1

Stelring loopkat

A4

SHEET 1 OF 1

SOLIDWORKS Educational Product. For Instructional Use Only